



Advance the  
potential of your  
cell culture

Cedex Bio HT Analyzer  
96-well plate upgrade

# Cedex Bio HT Analyzer 96-well plate upgrade

Drive bioprocess optimization and monitoring to new dimensions.



## The 96-well upgrade kit – the plug-and-play option to do more

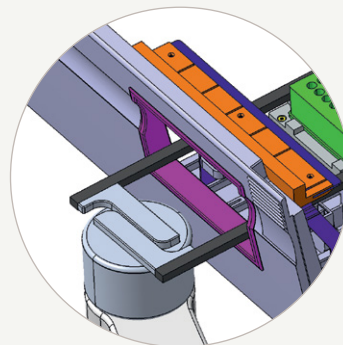
- **Use 96-well plates or conventional racks**  
(total capacity: up to 96 + 30 samples)
- **Monitor one or more single-use microbioreactors**  
with direct plate transfer
- **Reduce work** with an intuitive Excel® template to import sample order
- **Continue using all Cedex Bio HT Analyzer assays**  
without loss of performance
- **Effortless update** any Cedex Bio HT Analyzer

Cell culture is at the heart of the production process for many biopharmaceuticals but finding the optimal conditions to maximize yield can be a complex and time-consuming process.

Couple the new functionality of Cedex Bio HT Analyzer SW v6.0 with the 96-well plate upgrade to achieve high-throughput sample processing when you need it. Direct sample transfer and automated measurement on 96-well plates improves workflow efficiency while significantly reducing hands-on time and risk of human error like sample mixup.

## Prepared for the future

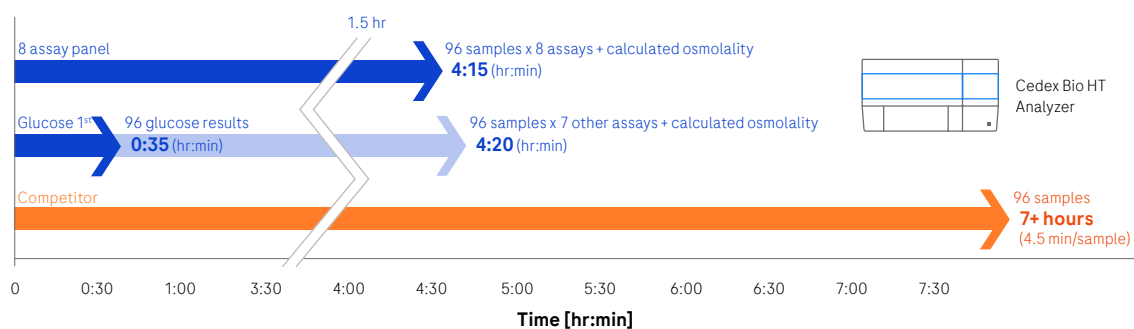
The Cedex Bio HT Analyzer 96-well plate upgrade is designed to accommodate future developments in workflow automation like plate transfer through robotic loading for an efficient, end-to-end streamlined workflow.



Example of plate loading with a robotic arm

### Augment your workflow efficiency

With the 96-well upgrade, the short measurement time of the Cedex Bio HT Analyzer becomes even more relevant to optimizing workflows. Additional parallelization in bioprocess analytics by using separate instruments for cell analysis, pH, and gases significantly reduces the overall measurement time compared to the competition. For example, with glucose measurements of 96 samples in 35 minutes, fermenter conditions can be quickly adjusted via immediate feedback loops.



**Source: Cedex data on file.** Time to result varies based on test, dilution, and other factors. Competitor time to result was determined from vendor-reported throughput.

### A flexible and comprehensive test menu for just the data you need

Whether you use the full spectrum of Cedex tests or focus on only core parameters to gain deep insights about production processes based on specific data, rest assured that every test delivers high performance and time savings. Anticipating industry-specific needs, CustomBiotech has evaluated the use of sealed, pre-pierced plates to achieve even higher degrees of precision and accuracy. This additional safety barrier prevents evaporation without further cooling for an even more robust testing routine.

## Ordering information

---

Product	Catalog Number
Cedex Bio HT Analyzer	06 608 116 001
System software Cedex Bio HT Analyzer v6.0.0 (Win 10)	09 182 543 001
Kit 96-well plate Cedex	09 181 687 001
Rack 96-well plate Cedex	09 241 400 001
Panel rack access RB 96-well plate Cedex (spare part)	09 246 312 001

### Regulatory Disclaimer

For use in quality control/manufacturing process only.

### Trademarks

CEDEX is a trademark of Roche.  
Excel is a trademark of Microsoft.

---

© 2023

All rights reserved.

### Published by

Roche Diagnostics GmbH  
Sandhofer Str. 116  
68305 Mannheim  
Germany

[custombiotech.roche.com](https://www.custombiotech.roche.com)

---

### Please contact your local CustomBiotech representative

**Europe, Middle East, Africa, Latin America**  
[mannheim.custombiotech@roche.com](mailto:mannheim.custombiotech@roche.com)

**United States**  
[custombiotech.ussales@roche.com](mailto:custombiotech.ussales@roche.com)

**Canada**  
[custombiotech.can@roche.com](mailto:custombiotech.can@roche.com)

**Asia Pacific**  
[apac.custombiotech@roche.com](mailto:apac.custombiotech@roche.com)



**Scan for ordering  
information for all  
Cedex Bio HT Analyzer  
assays**